



# Tom Bolack Trail Improvements

Neighborhood Meeting

June 29, 2021

**City of Albuquerque**

Council District 7

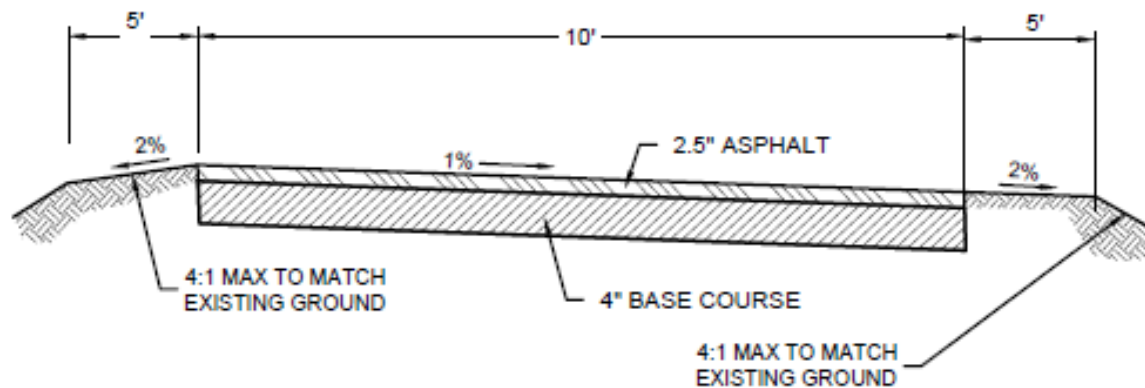
Councilor Diane Gibson

Presentation by City Staff





# Typical Section



# Project Notes

- Existing storm drain pipe at “pinch point” will need to be extended to make room for full trail width
- Lighting exists near dog park, and would be supplemented to the west with solar light fixtures
- Design intent is to preserve trees as much as possible