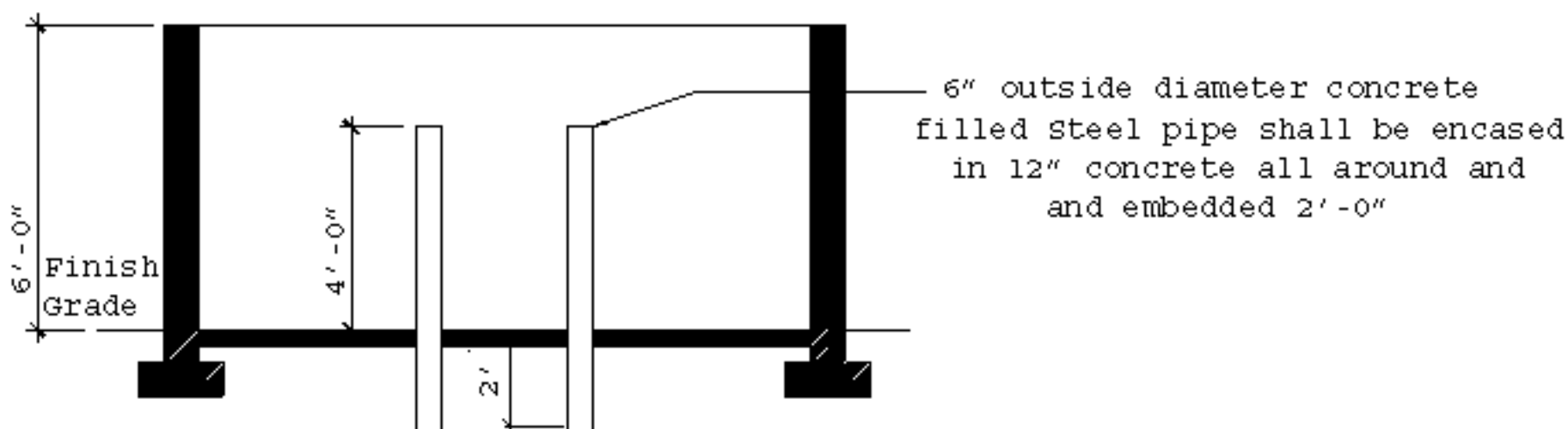
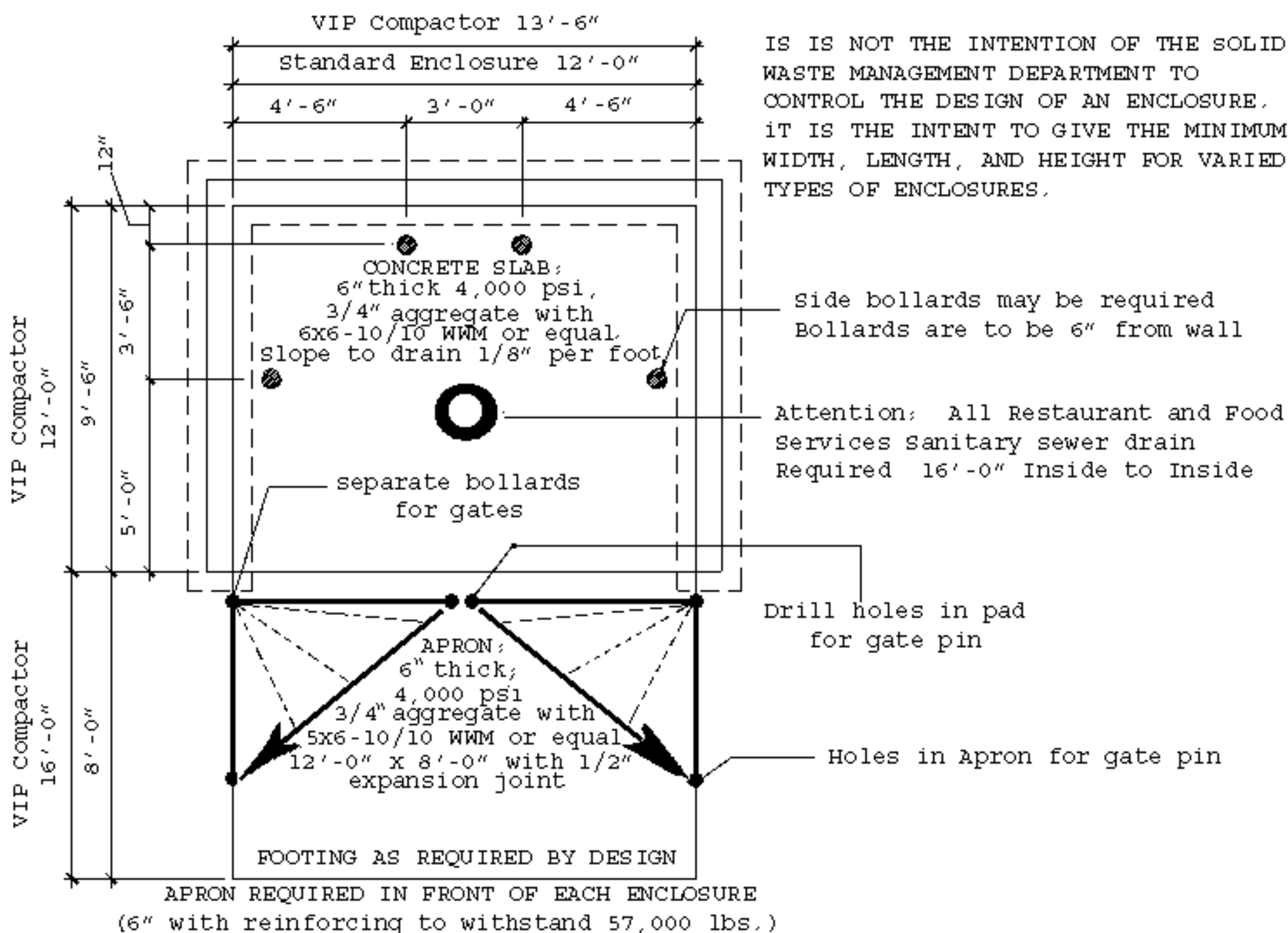


Dimensions given are to the inside of Enclosure walls and are the minimum sizes required for the slab itself. Footing will vary with the design of the enclosure.



Additional information concerning these specifications may be obtained by calling the Solid Waste Management Department at 761-8100